

# 68" CONSTANTINE

## MOSAIC COPPER DOUBLE-SLIPPER TUB

SKU: 908098



### FEATURES

Product Finish: Nickel  
Overflow Hole: Optional  
Shape: Oval  
Material: Copper  
Length: 68"  
Width: 31"  
Height: 25"  
Water Depth to Rim: 14-1/4"  
Water Depth To Overflow: 11-1/2"  
Interior Treatment: Smooth  
Metal Gauge/Thickness: 16 Gauge  
Tap Deck: No  
Drain Included: Optional  
Drain Placement: Center  
Faucet Included: No  
Faucet Drillings: No Drillings  
Water Capacity (Gallons): 55  
Tub Weight Uncrated (lbs): 99  
Tub Weight Crated (lbs): 187

### SIGNATURE HARDWARE Lifetime Warranty

See website for detailed warranty information.

### CONTENTS

AIR TUB ..... PAGE 2  
68" TUB ..... PAGE 3

REVISED 10/04/2019

# 68" CONSTANTINE AIR TUB

## COMPONENTS LIST

- BM-TWP BALL CHECK VALVE JETS
- MANI-SD-A SECURITY DEVICE
- MAN-A-4-AC MANIFOLD
- SILVER SLS+ VARIABLE SPEED BLOWER

## INSTALLATION

Install blower behind a wall (with an access panel) or in a closet. Blower can also be installed under floor. Ensure the security device, MANI-DS-A, is at least:

- 2" Above the tub rim

Security device and hose can be mounted in wall

## REMOTE CONTROL

- CG+/RTC-SENSOR-WP
- 12 – 15 YEAR BATTERY LIFE

## INSIDE OF BATH

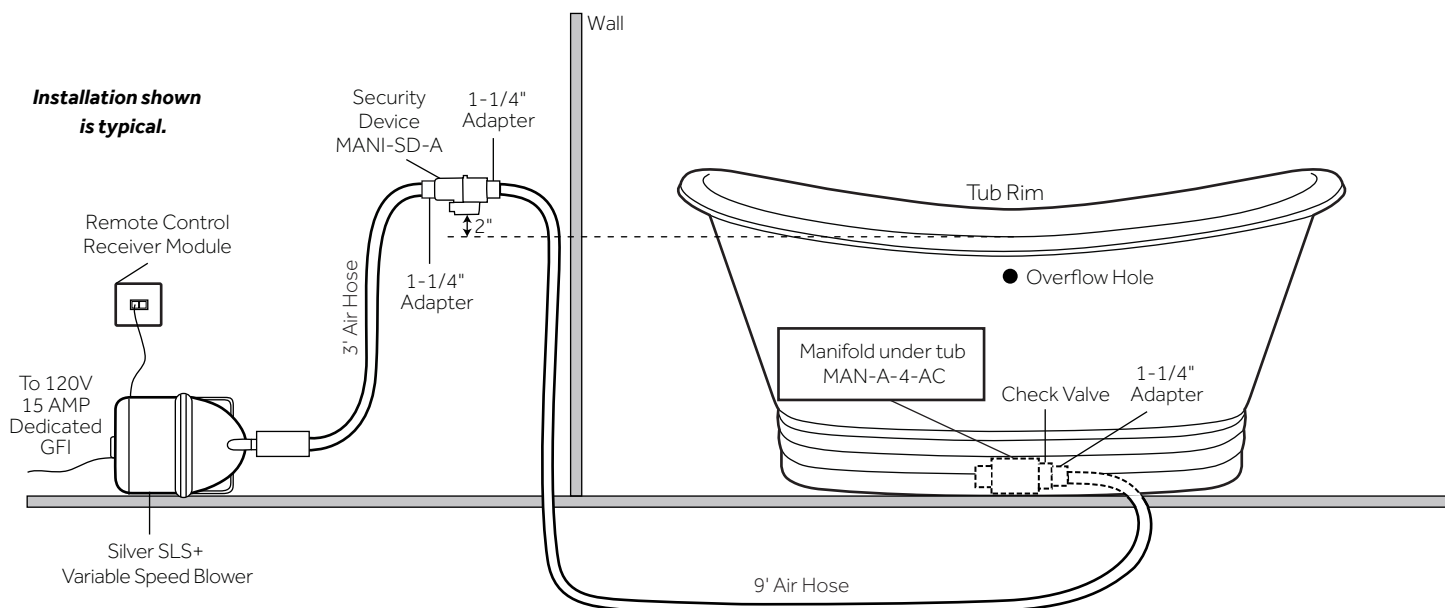
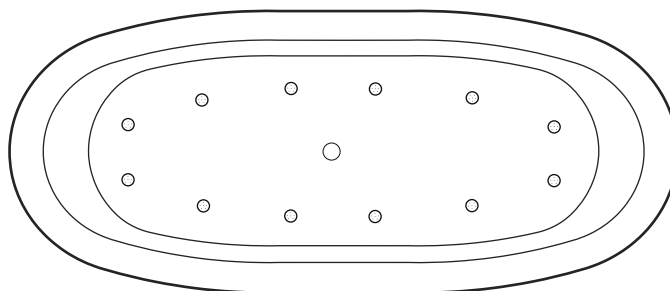
- (12) MAXI AIR JETS WITH 24 OPENINGS



ELBOWS FOR AIR JETS



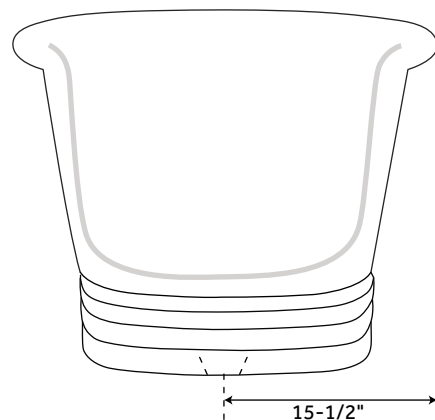
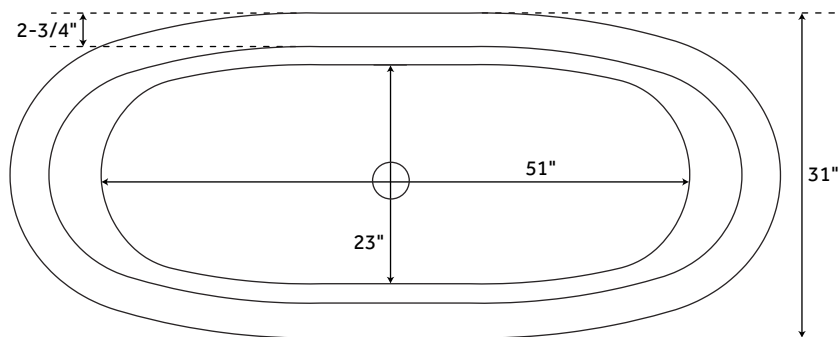
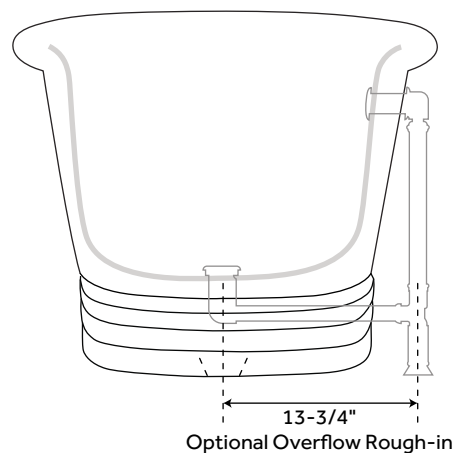
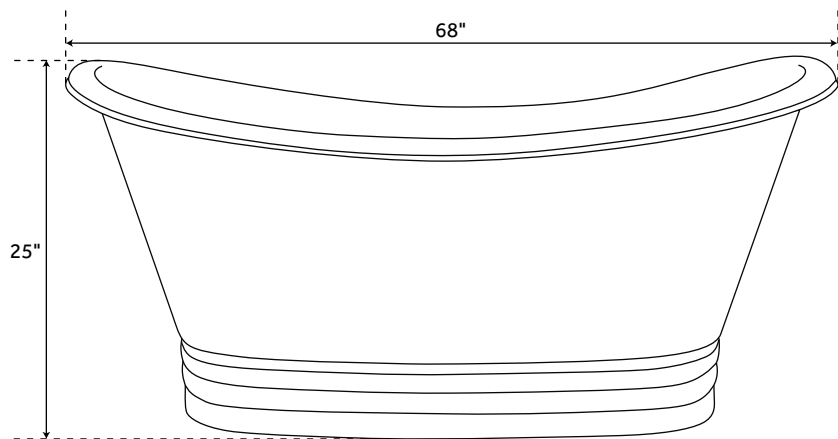
TEES FOR AIR JETS



# 68" CONSTANTINE

## MOSAIC COPPER DOUBLE-SLIPPER TUB

SKU: 908098



### FEATURES

- Product Finish: Nickel
- Overflow Hole: Optional
- Shape: Oval
- Material: Copper
- Length: 68"
- Width: 31"
- Height: 25"
- Water Depth to Rim: 14-1/4"
- Water Depth To Overflow: 11-1/2"
- Interior Treatment: Smooth
- Metal Gauge/Thickness: 16 Gauge
- Tap Deck: No
- Drain Included: Optional
- Drain Placement: Center
- Faucet Included: No
- Faucet Drillings: No Drillings
- Water Capacity (Gallons): 55
- Tub Weight Uncrated (lbs): 99
- Tub Weight Crated (lbs): 187

### SIGNATURE HARDWARE LIFETIME WARRANTY

See website for warranty information



All dimensions and specifications are nominal and may vary. Use actual products for accuracy in critical situations.

PAGE 3