

68" CONSTANTINE

MOSAIC COPPER DOUBLE-SLIPPER TUB

SKU: 908098



FEATURES

Dimensions: 68" L x 31" W x 25" H ($\pm 1"$).

Lacquered finish.

Hand-polished finish.

Copper tubs are handmade and therefore unique.

Expect slight variations in finish and dimensions ($\pm 1"$).

Requires wall- or floor-mount tub filler.

Air tub option: features 12 air jets that massage and relax.

Remote control works within 15-foot radius and is designed to float. Tub and air system come fully assembled.

To keep the tub in premium condition, it is recommended to not use anything abrasive for bathing or cleaning, including products like Epsom salts, bristle brushes, and harsh soaps.

Overflow option: includes Extended Pop-Up Drain with Swivel Head. Choose a Standard or Daisy Wheel overflow, which remain open to allow water into the drain, or the Press-and-Seal overflow, which can be closed for additional water depth.

CONTENTS

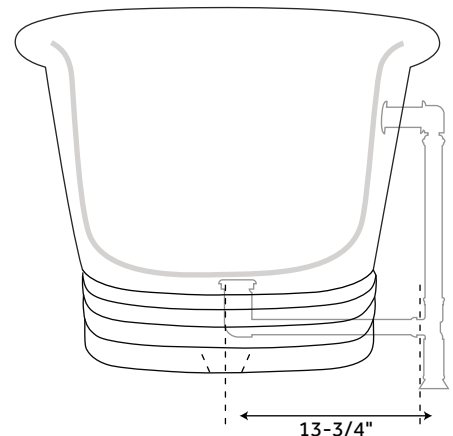
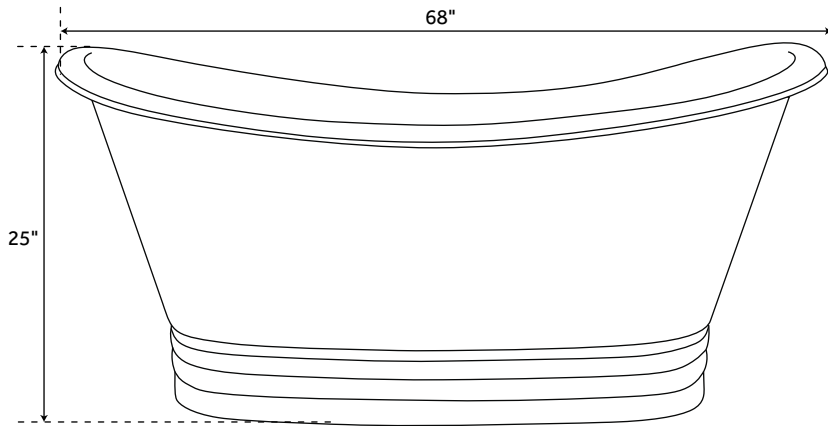
TUB PAGE 2

REVISED 05/27/2020

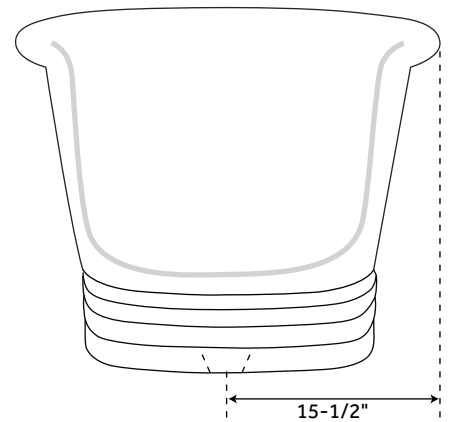
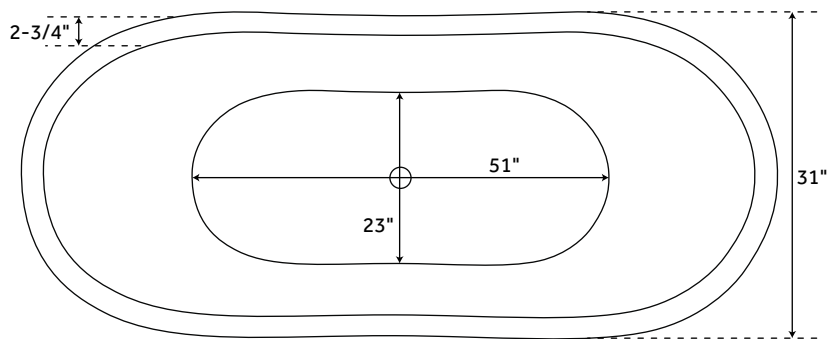
68" CONSTANTINE

MOSAIC COPPER DOUBLE-SLIPPER TUB

SKU: 908098



Optional Overflow Rough-in



FEATURES

- Design: Glam
- Product Finish: Nickel
- Overflow Hole: Optional
- Shape: Oval
- Material: Copper
- Water Depth To Rim: 14-1/4"
- Water Depth To Overflow: 11-1/2"
- Interior Treatment: Smooth
- Metal Gauge/thickness: 16 Gauge
- Tap Deck: No
- Drain Included: Optional
- Drain Placement: Center
- Faucet Included: No
- Faucet Drillings: No Drillings
- Water Capacity (Gallons): 55
- Tub Weight Uncrated (Lbs): 99
- Tub Weight Crated (Lbs): 187

PRODUCT IMAGE



PAGE 2

All dimensions and specifications are nominal and may vary. Use actual products for accuracy in critical situations.