

54" NORAH

VICTORIAN COPPER SLIPPER CLAWFOOT TUB

SKU: 907679



CONTENTS

54" TUB PAGE 2

FEATURES

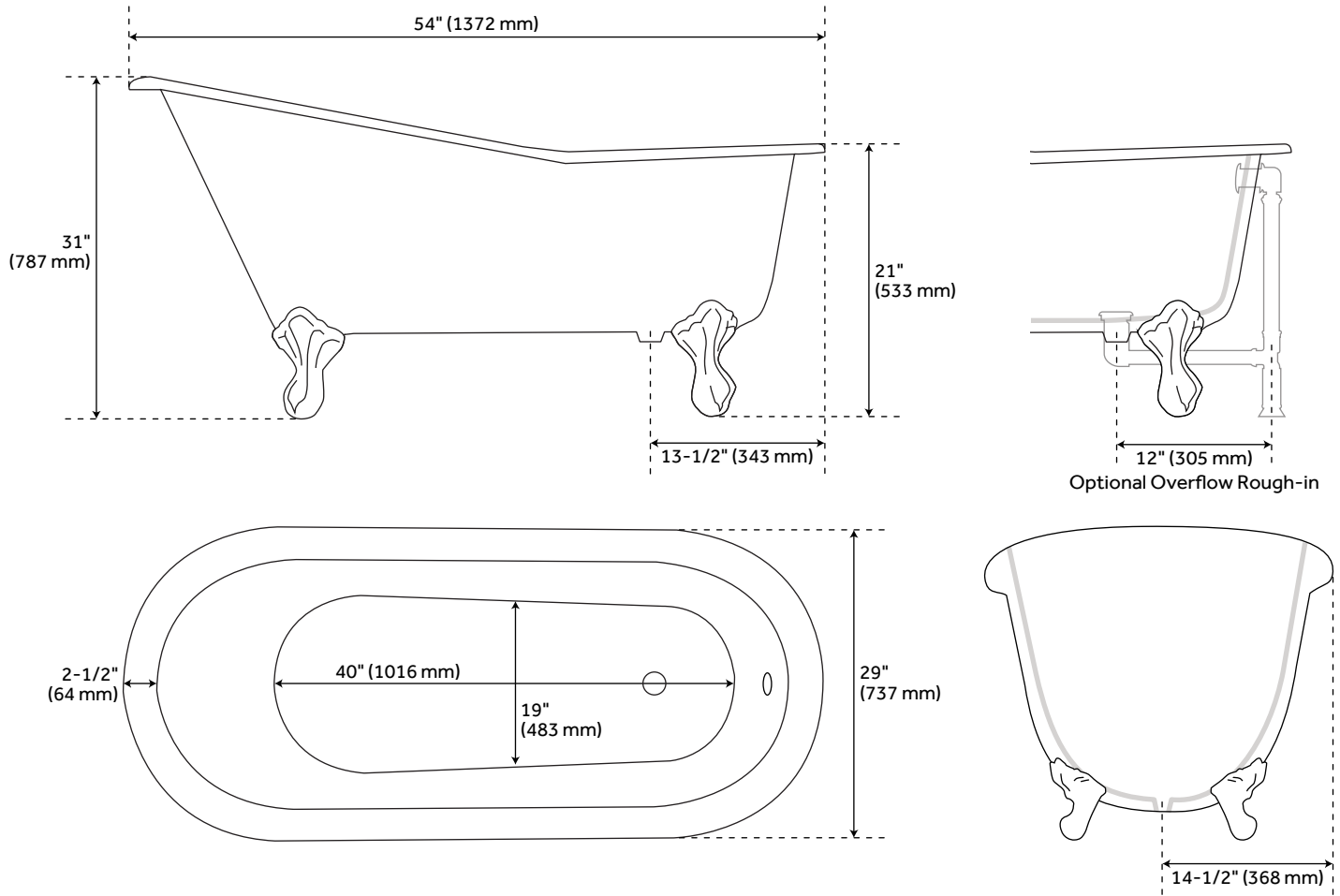
- Design: Traditional
- Product Finish: Antique Copper Patina
- Features: Press & Seal Drain
- Overflow Hole: Optional
- Shape: Oval
- Material: Copper
- Exterior Treatment: Smooth
- Interior Treatment: Smooth
- Feet Type: Lion Paw
- Feet Material: Copper
- Metal Gauge/Thickness: 16 Gauge
- Tap Deck: No
- Drain Included: Optional
- Drain Placement: End
- Faucet Included: No
- Faucet Drillings: No Drillings
- Requires Wall-or Floor-Mount Tub Filler
- To Keep the Tub in Premium Condition, it is
Recommended to Not Use Anything Abrasive
for Bathing or Cleaning, Including Products
Like Epsom Salts, Bristle Brushes, and Harsh
Soaps
- Overflow Option: Includes Extended Pop-Up
Drain with Swivel Head
- Choose a Standard or Daisy Wheel Overflow,
Which Remain Open to Allow Water
Into the Drain, or the Press-and-Seal
Overflow, Which Can be Closed for
Additional Water Depth

REVISED 12/22/2020

54" NORAH

VICTORIAN COPPER SLIPPER CLAWFOOT TUB

SKU: 907679



FEATURES

- Length: 54"
- Width: 29"
- Height: 31"
- Tub Interior Length: 40"
- Tub Interior Width: 19"
- Water Depth With Overflow: 13"
- Water Capacity With Overflow (Gallons): 42
- Tub Weight Uncrated (lbs): 75
- Tub Weight Crated (lbs): 182

PRODUCT IMAGE



All dimensions and specifications are nominal and may vary. Use actual products for accuracy in critical situations.

PAGE 2