

# HENLEY

## CAST IRON DOUBLE-ENDED PEDESTAL TUB

SKU: 907547



### FEATURES

- Design: Traditional
- Product Finish: White
- Overflow Hole: Yes
- Shape: Oval
- Material: Cast Iron
- Exterior Treatment: Hand-Smoothed  
Painted White
- Interior Treatment: White Porcelain  
Enamel
- Tap Deck: Optional
- Drain Included: Optional
- Drain Placement: Offset
- Faucet Included: No
- Overflow Option: Includes Extended Pop-Up  
Drain with Swivel Head
- Choose a Standard or Daisy Wheel Overflow,  
Which Remain Open to Allow Water  
Into the Drain, or the Press-and-Seal  
Overflow, Which Can be Closed for  
Additional Water Depth

### CONTENTS

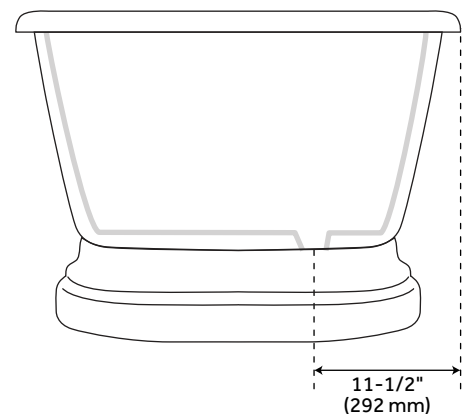
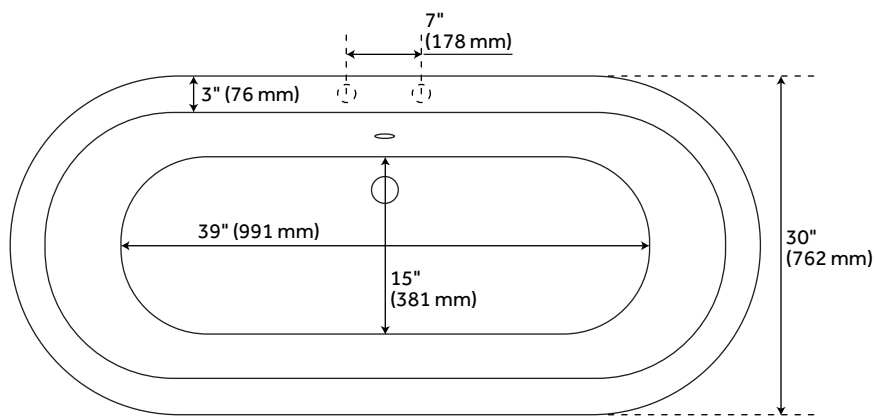
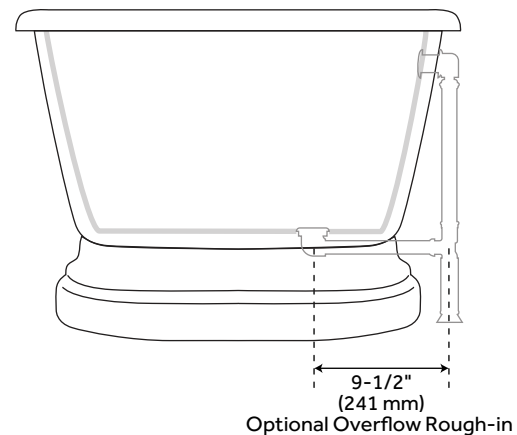
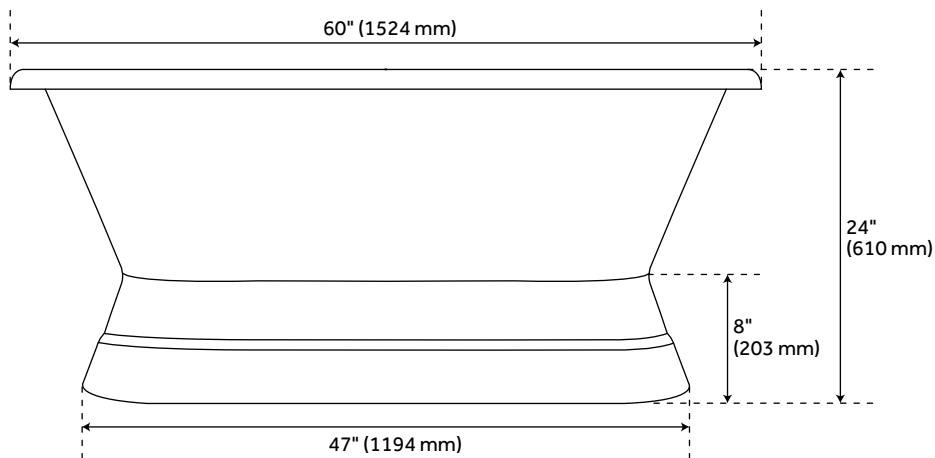
- 60" HENLEY ..... PAGE 2
- 66" HENLEY ..... PAGE 3

REVISED 08/10/2020

# 60" HENLEY

## CAST IRON DOUBLE-ENDED PEDESTAL TUB

SKU: 907547



### FEATURES

Length: 60"  
Width: 30"  
Height: 24"  
Tub Interior Length: 39"  
Tub Interior Width: 15"  
Water Capacity (Gallons): 32  
Water Depth To Overflow: 13"  
Tub Weight Uncrated (lbs): 340  
Tub Weight Crated (lbs): 450

### CODES/STANDARDS

cICC-ES PMG  
ASME A112.19.1/CSA B45.2

### PRODUCT IMAGE



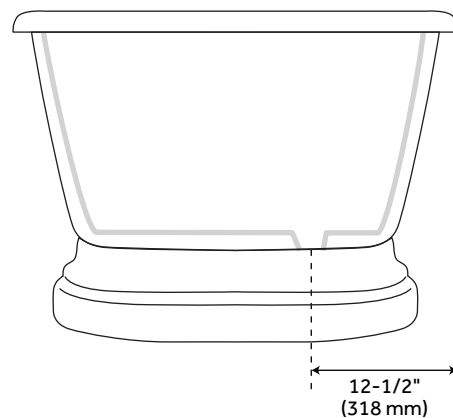
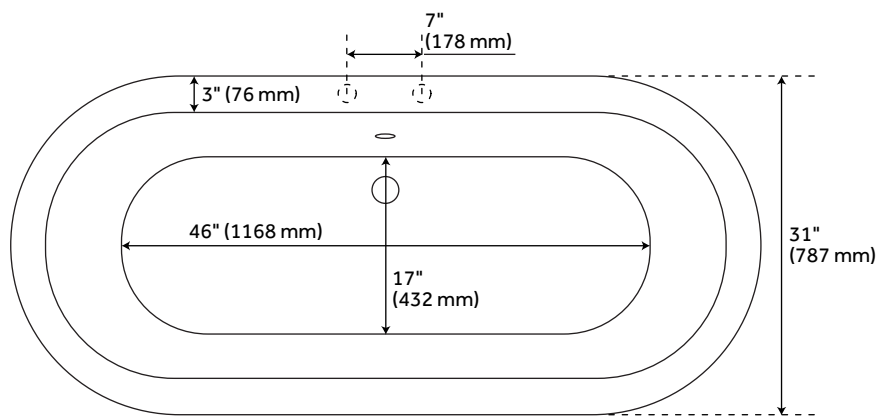
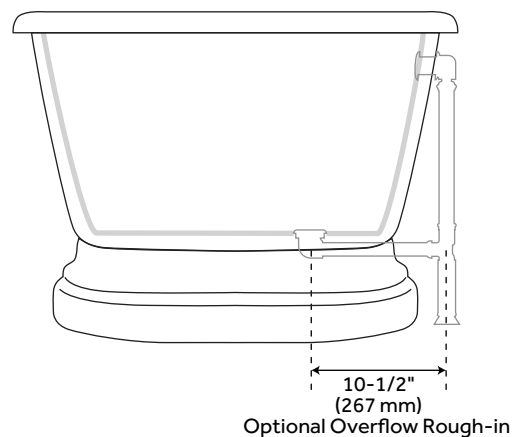
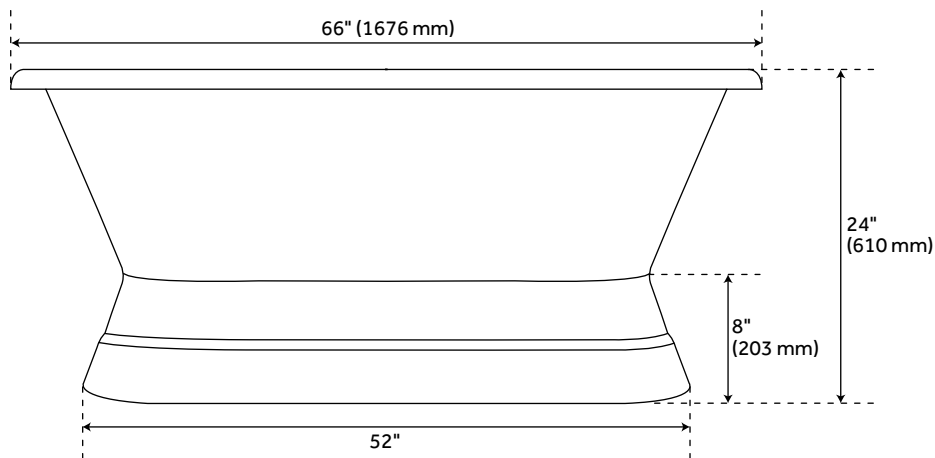
All dimensions and specifications are nominal and may vary. Use actual products for accuracy in critical situations.

PAGE 2  
Code: 517356, 517327

# 66" HENLEY

## CAST IRON DOUBLE-ENDED PEDESTAL TUB

SKU: 907547



### FEATURES

- Length: 66"
- Width: 31"
- Height: 24"
- Tub Interior Length: 46"
- Tub Interior Width: 17"
- Water Capacity (Gallons): 41
- Water Depth To Overflow: 14"
- Tub Weight Uncrated (lbs): 472
- Tub Weight Crated (lbs): 582

### CODES/STANDARDS

- cICC-ES PMG
- ASME A112.19.1/CSA B45.2

### PRODUCT IMAGE



All dimensions and specifications are nominal and may vary. Use actual products for accuracy in critical situations.

PAGE 3  
Code: 517328, 517330