

RALSTON

CAST IRON CLAWFOOT TUB - IMPERIAL FEET

SKU: 900333



FEATURES

61" Overall Dimensions: 61" L x 31" W x 24" H ($\pm 1/2$ ").

Water capacity with overflow: 35 gallons. Weight uncrated/crated: 270/380 lbs.

67" Overall Dimensions: 67" L x 31" W x 24" H ($\pm 1/2$ ").

Water capacity with overflow: 48 gallons. Weight uncrated/crated: 315/425 lbs.

White feet are powder coat over cast iron. All other finishes made of plated solid brass.

Overflow option: includes Extended Pop-Up Drain with Swivel Head. Choose a Standard or Daisy Wheel overflow, which remain open to allow water into the drain, or the Press-and-Seal overflow, which can be closed for additional water depth.

CONTENTS

61" TUB PAGE 2

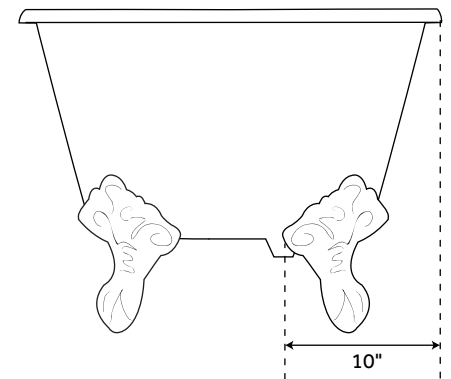
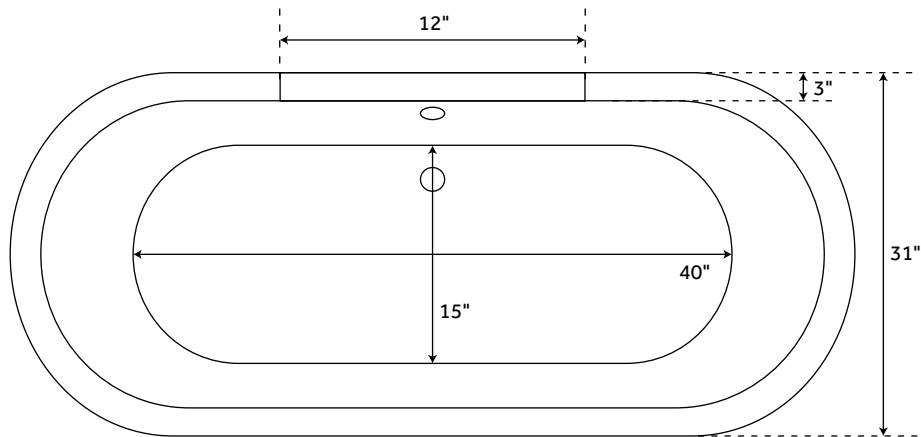
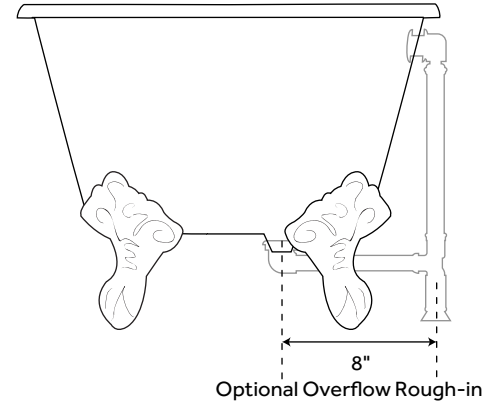
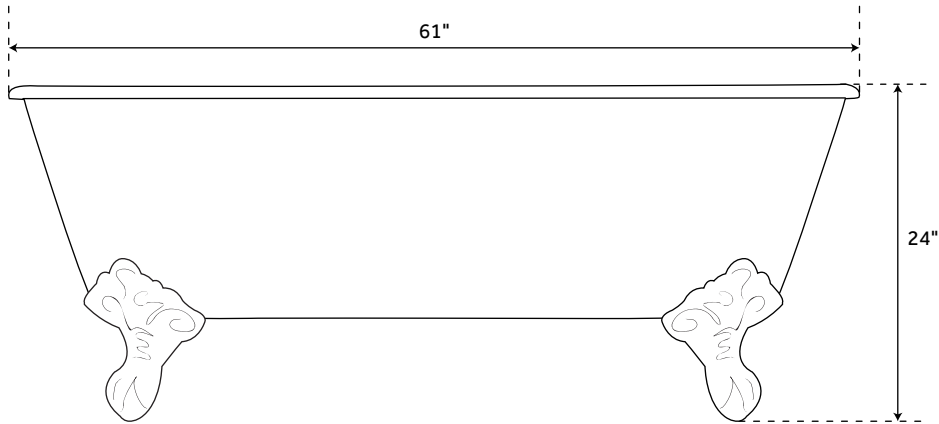
67" TUB PAGE 3

REVISED 07/27/2020

61" RALSTON

CAST IRON CLAWFOOT TUB - IMPERIAL FEET

SKU: 900333



FEATURES

- Design: Traditional
- Product Finish: White
- Overflow Hole: Yes
- Shape: Oval
- Material: Cast Iron
- Water Depth To Overflow: 13-1/2"
- Exterior Treatment: Hand-Smoothed
Painted White
- Interior Treatment: White Porcelain Enamel
- Feet Type: Ball & Claw
- Feet Material: Cast Iron
- Tap Deck: No
- Drain Placement: Offset
- Built-In Adjusters: Yes
- Length: 61"
- Width: 31"
- Height: 24"
- Water Capacity With Overflow (Gallons): 35
- Tub Weight Uncrated (lbs): 270
- Tub Weight Crated (lbs): 380

PRODUCT IMAGE



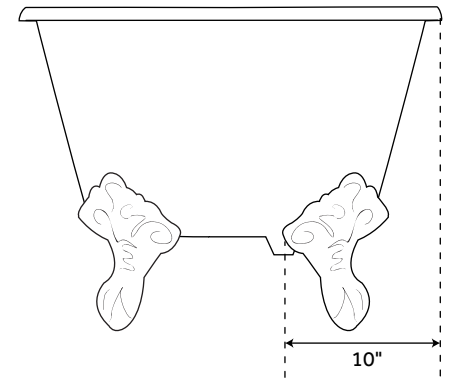
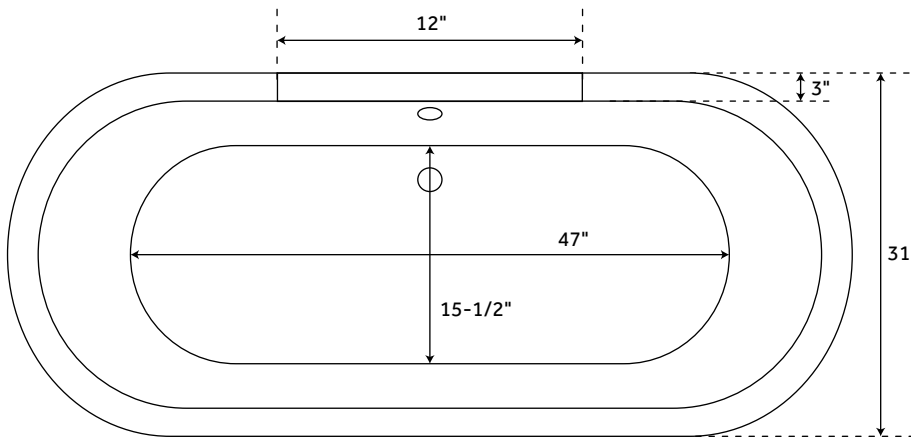
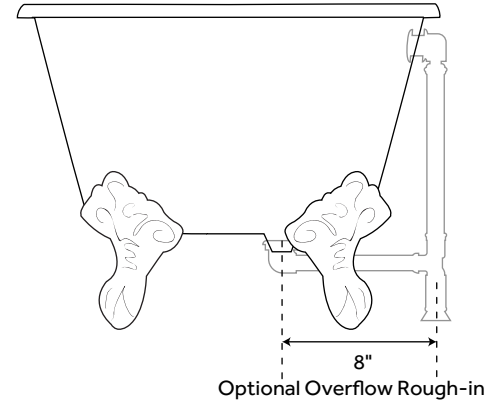
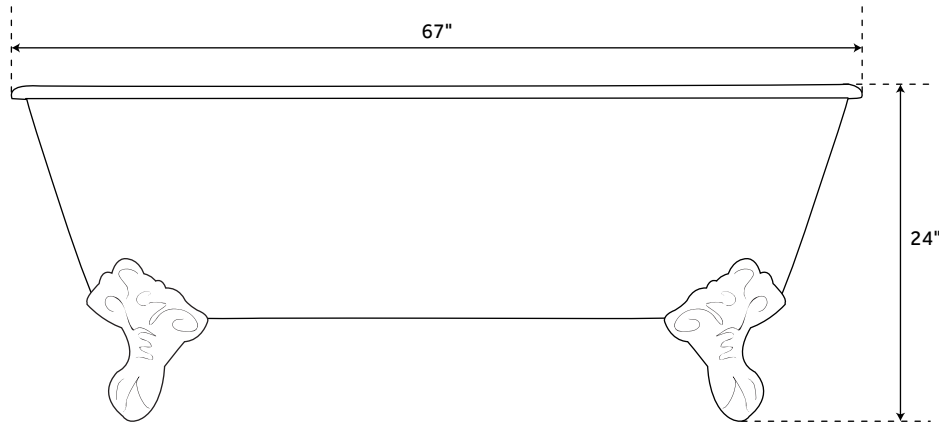
All dimensions and specifications are nominal and may vary. Use actual products for accuracy in critical situations.

PAGE 2

67" RALSTON

CAST IRON CLAWFOOT TUB - IMPERIAL FEET

SKU: 900333



FEATURES

Design: Traditional

Product Finish: White

Overflow Hole: Yes

Shape: Oval

Material: Cast Iron

Water Depth To Overflow: 13-1/2"

Exterior Treatment: Hand-Smoothed
Painted White

Interior Treatment: White Porcelain Enamel

Feet Type: Ball & Claw

Feet Material: Cast Iron

Tap Deck: No

Drain Placement: Offset

Built-In Adjusters: Yes

Length: 67"

Width: 31"

Height: 24"

Water Capacity With Overflow (Gallons): 48

Tub Weight Uncrated (lbs): 315

Tub Weight Crated (lbs): 425

PRODUCT IMAGE



All dimensions and specifications are nominal and may vary. Use actual products for accuracy in critical situations.

PAGE 3