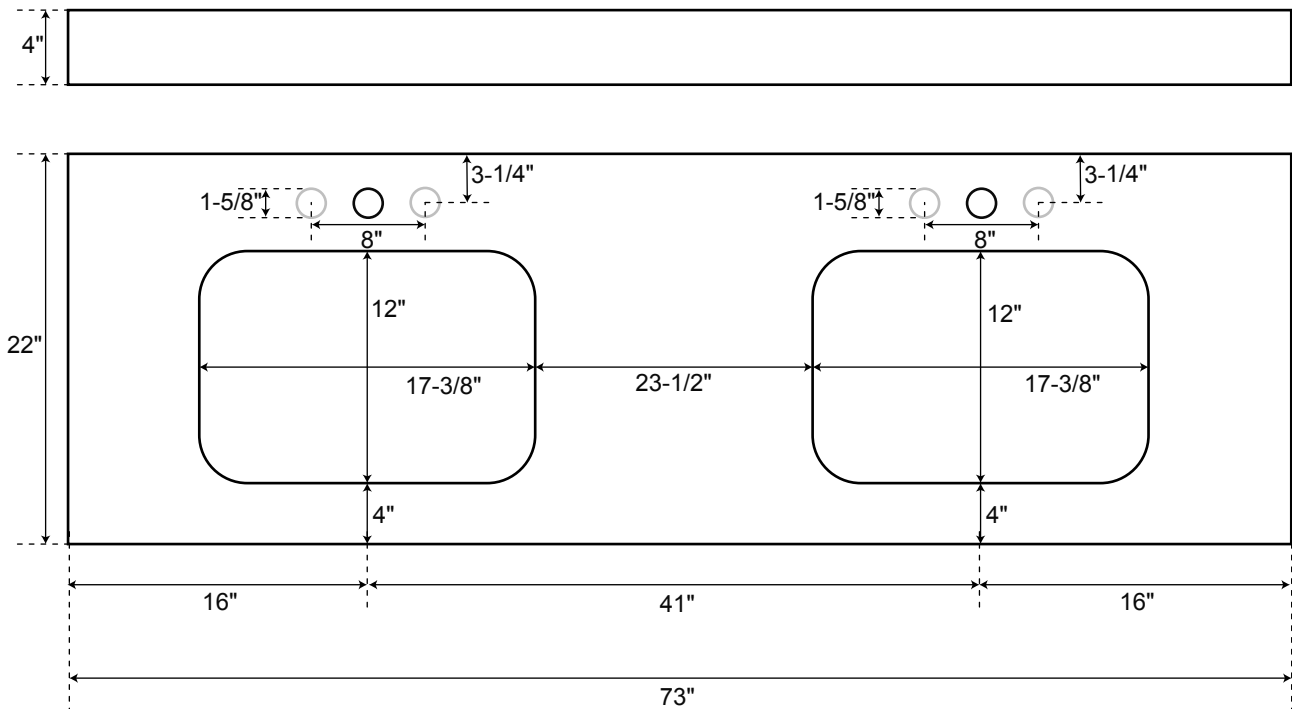




# 73" Stone

Vanity Top with  
Rectangular Undermount Sinks



#### Approximate Weights

Granite	175 – 195 lbs.
Marble	175 – 195 lbs.
Quartz	160 – 170 lbs.

\* Measurements are approximate. It is recommended to have the product at the job site before finalizing plumbing.



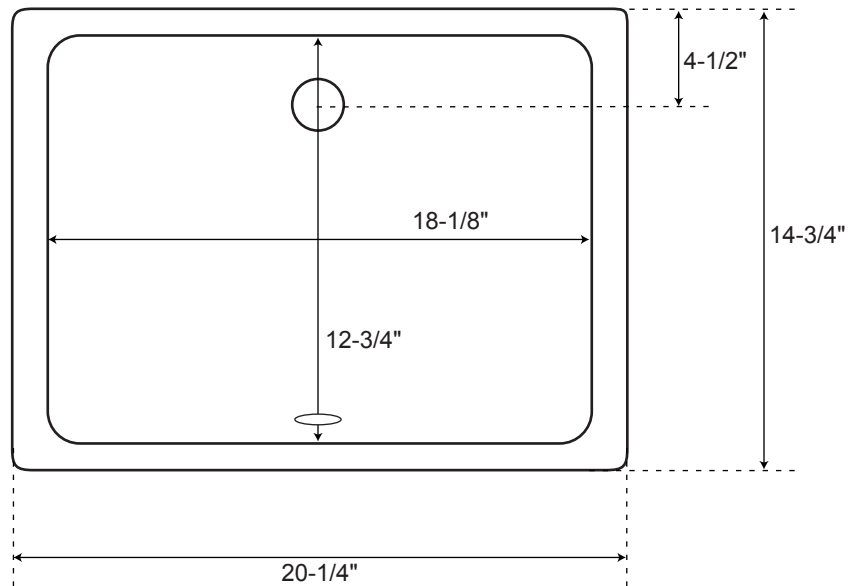
## SPECIFICATIONS

Overall Dimensions	20-1/4" L x 14-3/4" W (front to back) x 7-5/8" H
Basin Dimensions	18-1/8" L x 12-3/4" W (front to back)
Water Depth to Rim	5-1/2"
Water Depth to Overflow	4-1/8"
Drain Hole	1-1/2"

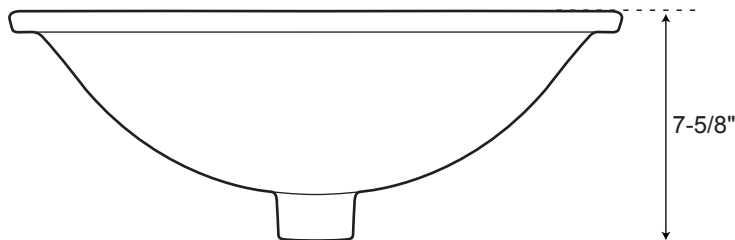
Rectangular  
**Porcelain**  
Undermount Sink

*All measurements are approximate.*

Top



Front





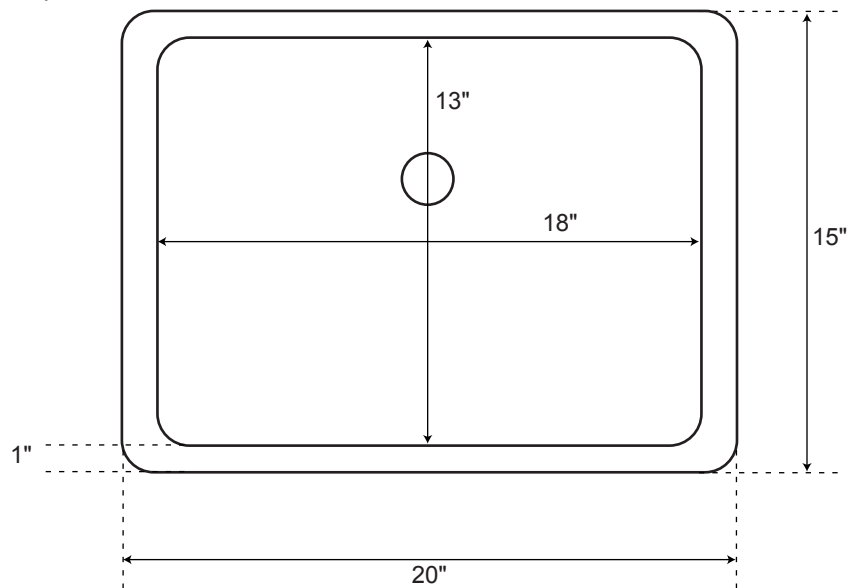
## SPECIFICATIONS

Overall Dimensions	20" L x 15" W (front to back) x 6" H
Basin Dimensions	18" L x 13" W (front to back)
Water Depth	5-1/2" to Rim
Drain Hole	1-1/2"
Rim	1"

Rectangular  
**Copper**  
Undermount Sink

*All measurements are approximate.*

Top



Front

