

AMBERLEY

ONE-PIECE ELONGATED TOILET - ADA COMPLIANT - WHITE

SKU: 450179



FEATURES

Skirted bowl with concealed trapway
Toilet with a standard seat meets ADA requirements when installed according to ADA guidelines.
High efficiency toilet uses 20% less water than standard toilets.

SIGNATURE HARDWARE

Product Warranties

See website for detailed warranty information.

CONTENTS

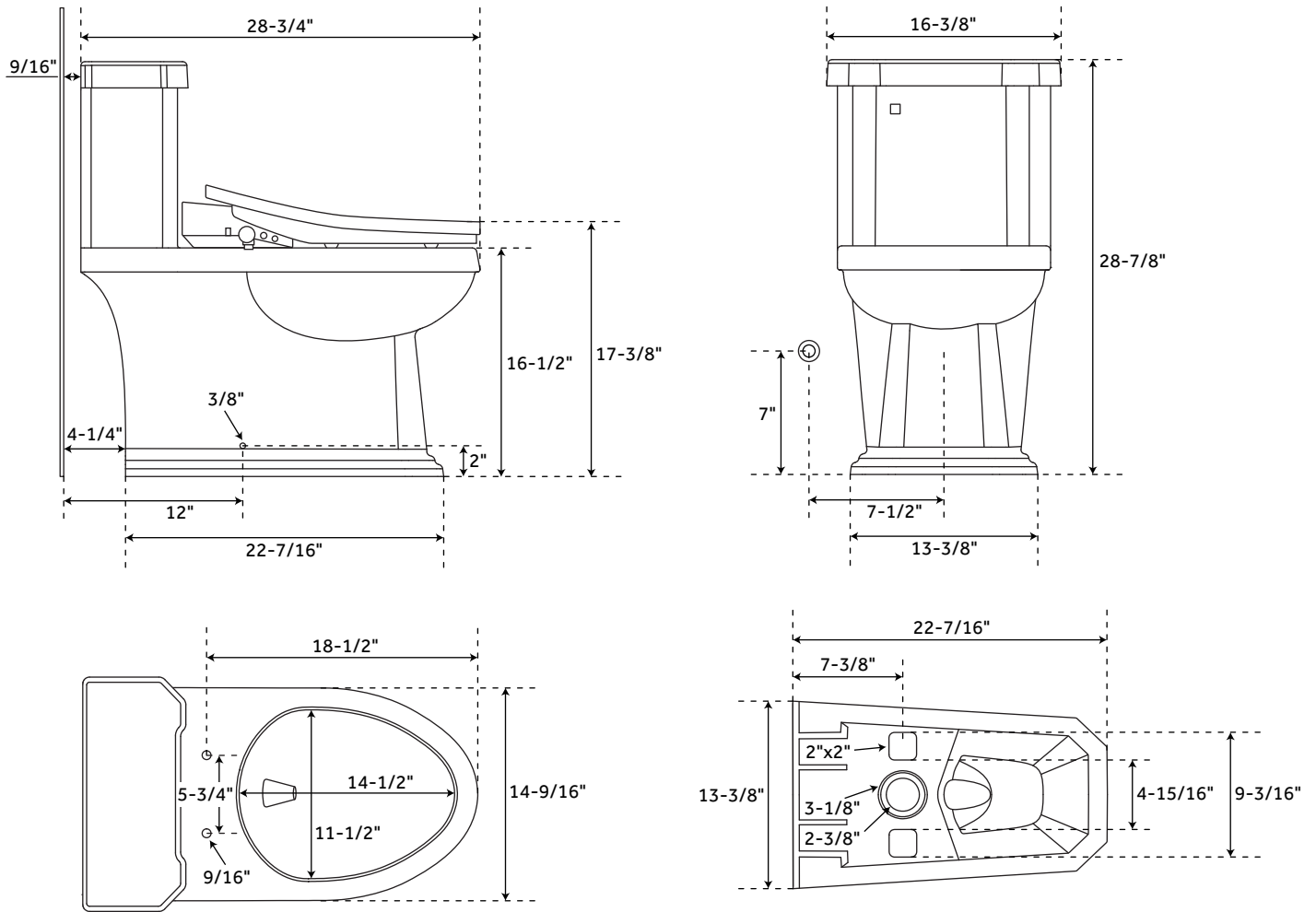
TOILET	PAGE 2
BIDET	PAGE 3

REVISED 08/21/2020

AMBERLEY

ONE-PIECE ELONGATED TOILET - ADA COMPLIANT - WHITE

SKU: 450179



FEATURES

Product Finish: White
 Material: Porcelain
 Bowl Shape: Elongated
 Length: 16-3/8"
 Width: 28-3/4"
 Height: 28-7/8"

CODES/STANDARDS

cUPC
 ASME A112.19.2/CSA B45.1
 ICC/ANSI A117.1 (when installed
 according to ADA standards)
 WaterSense
 CEC Listed
 CALGreen
 Massachusetts Accepted

SIGNATURE HARDWARE

See Website For Warranty Information



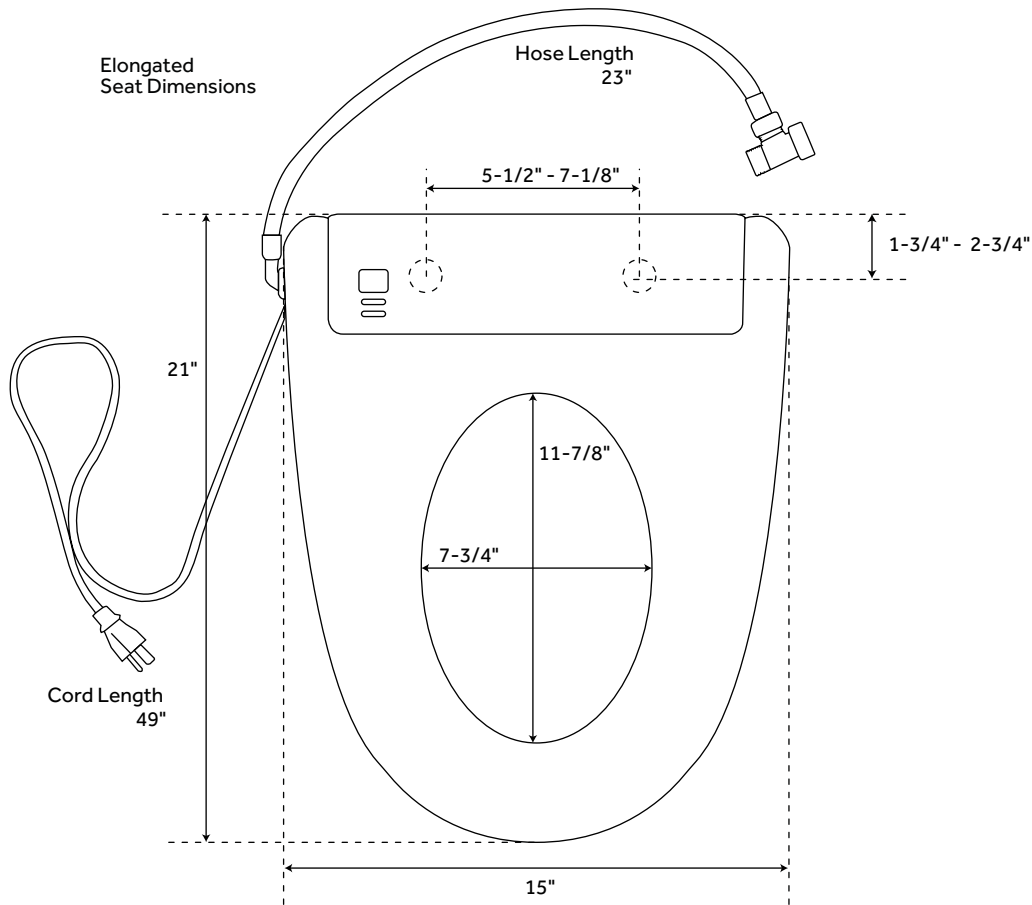
All dimensions and specifications are nominal and may vary. Use actual products for accuracy in critical situations.

PAGE 2
 CODE: SHAM241SWH

ALDRIDGE

ELONGATED ELECTRONIC BIDET TOILET SEAT

SKU: 450179



FEATURES

- 21" L x 15" W x 5" H.
- Features warm water, seat warmer, spray massage, warm drying, smart night light, and auto-cleaning modes
- Includes a remote control for one-handed operation
- Features Nozzle Clean mode for cleaning
- Soft-closing seat and lid
- Installs easily with quick-release system
- Power cord length: 49"
 - 120V, 10.4A, 60Hz
 - Requires dedicated CFGI outlet

CODES/STANDARDS

- cUPC
- ASME A112.4.2/CSA B45.16
- UL Listed
- UL 1431
- CAN/CSA-C22.2 No. 68

SIGNATURE HARDWARE

See Website For Warranty Information



All dimensions and specifications are nominal and may vary. Use actual products for accuracy in critical situations.

PAGE 3
CODE: SHBDS201WH