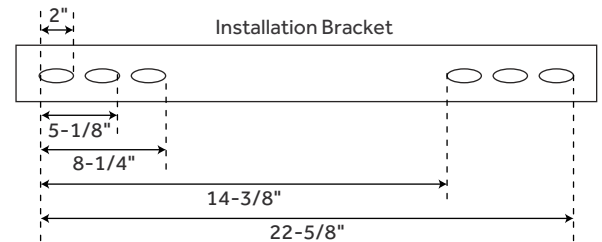
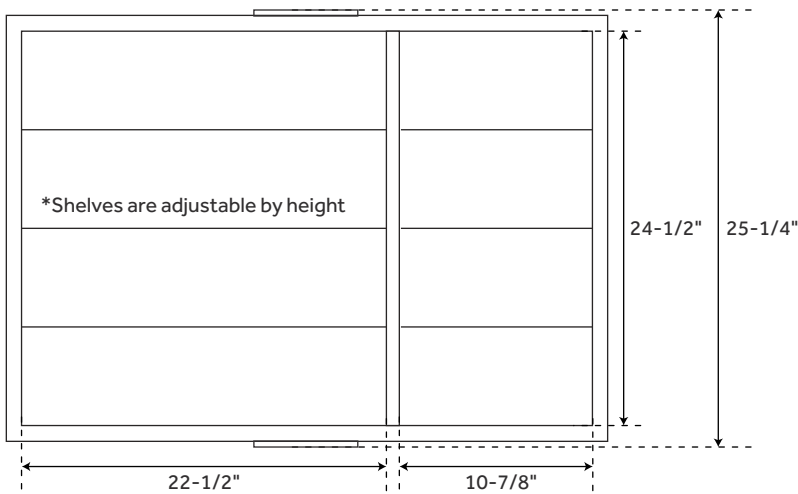
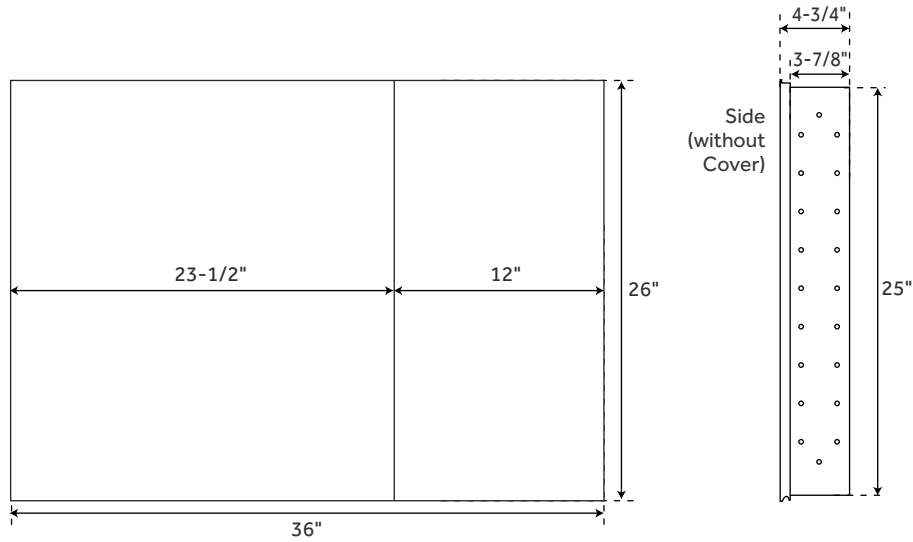


36" CORDAIN

RECESSED MOUNT MEDICINE CABINET

SKU: 413209



FEATURES

- Features: Double-sided Mirror, Frameless, Mirrored
- Material: Aluminum
- Design: Traditional
- Mirror Shape: Rectangle
- Number of Doors: 2
- Width: 36"
- Height: 26"
- Depth: 4-3/4"
- Mounting Hardware Included: Yes
- Assembly Required: Yes
- Mirror Only Width: 36"
- Mirror Only Height: 26"
- Door Opens: Left-hand
- Number of Shelves: 5
- Adjustable Shelves: Yes

SIGNATURE HARDWARE LIFETIME WARRANTY

See website for warranty information



REVISED 09/28/2018