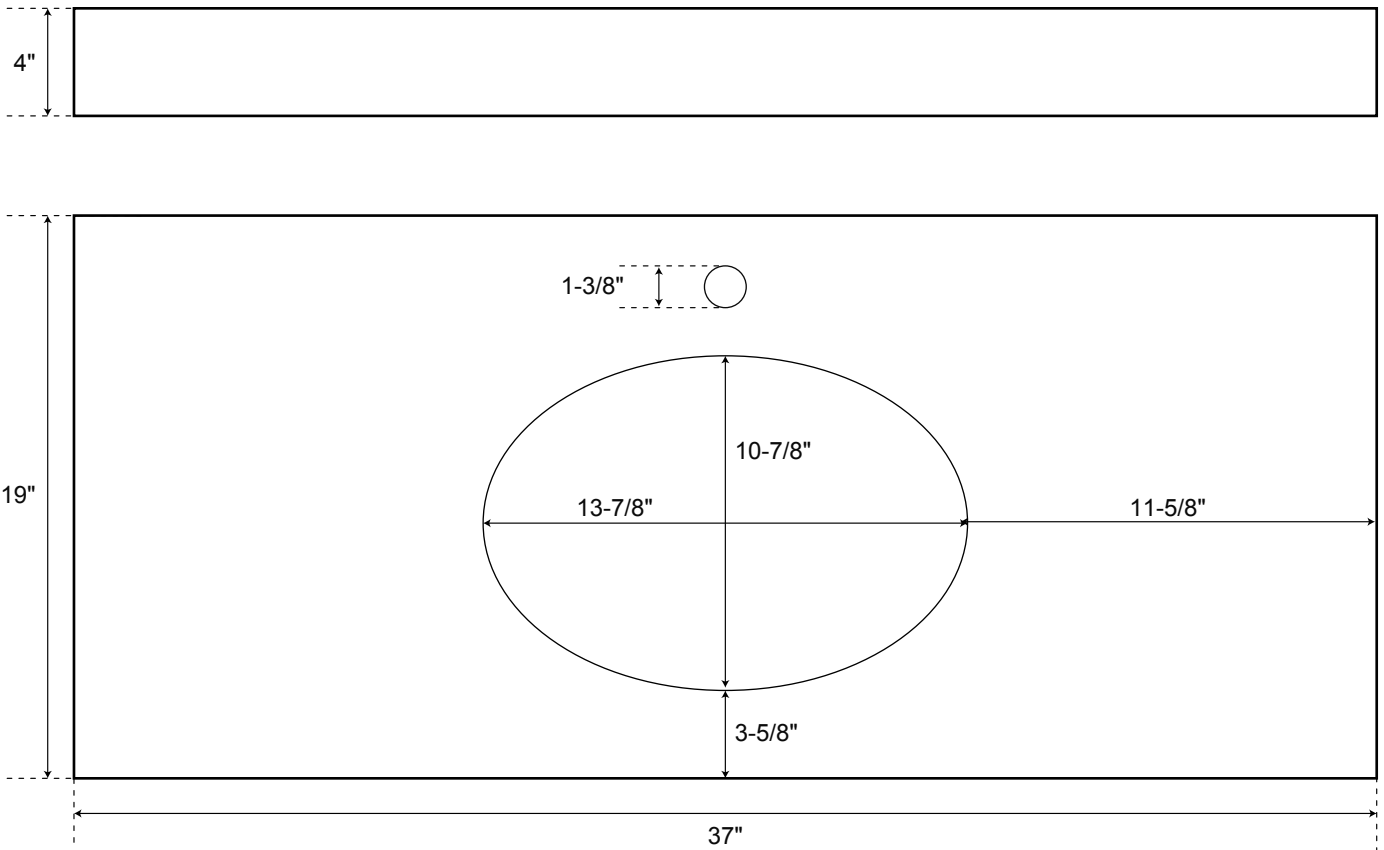




# 37" Narrow

Vanity Top with Undermount Sink  
Single Hole Drilling

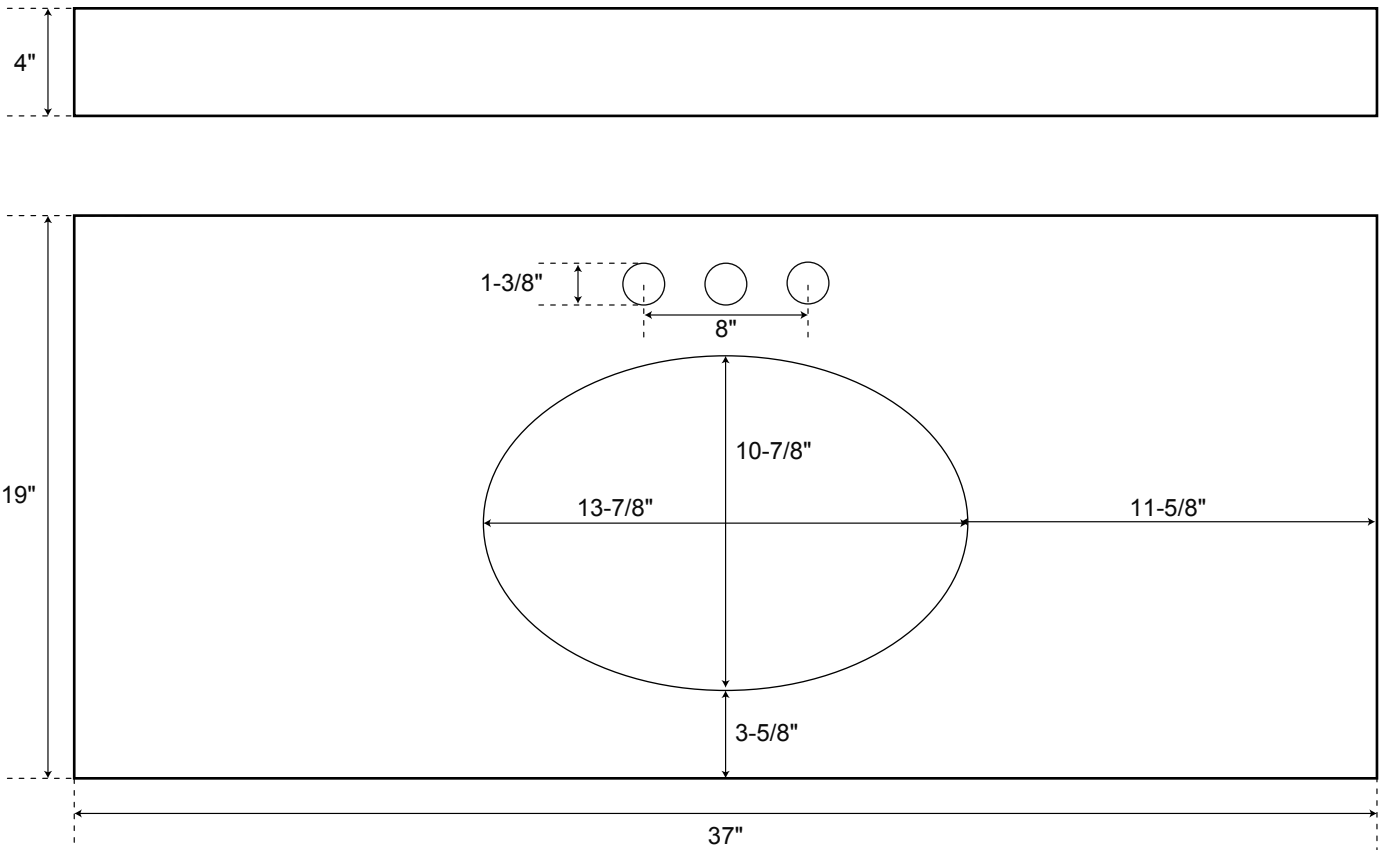


\* Measurements are approximate. It is recommended to have the product at the job site before finalizing plumbing.



# 37" Narrow

Vanity Top with Undermount Sink  
8" Widespread Faucet Drilling

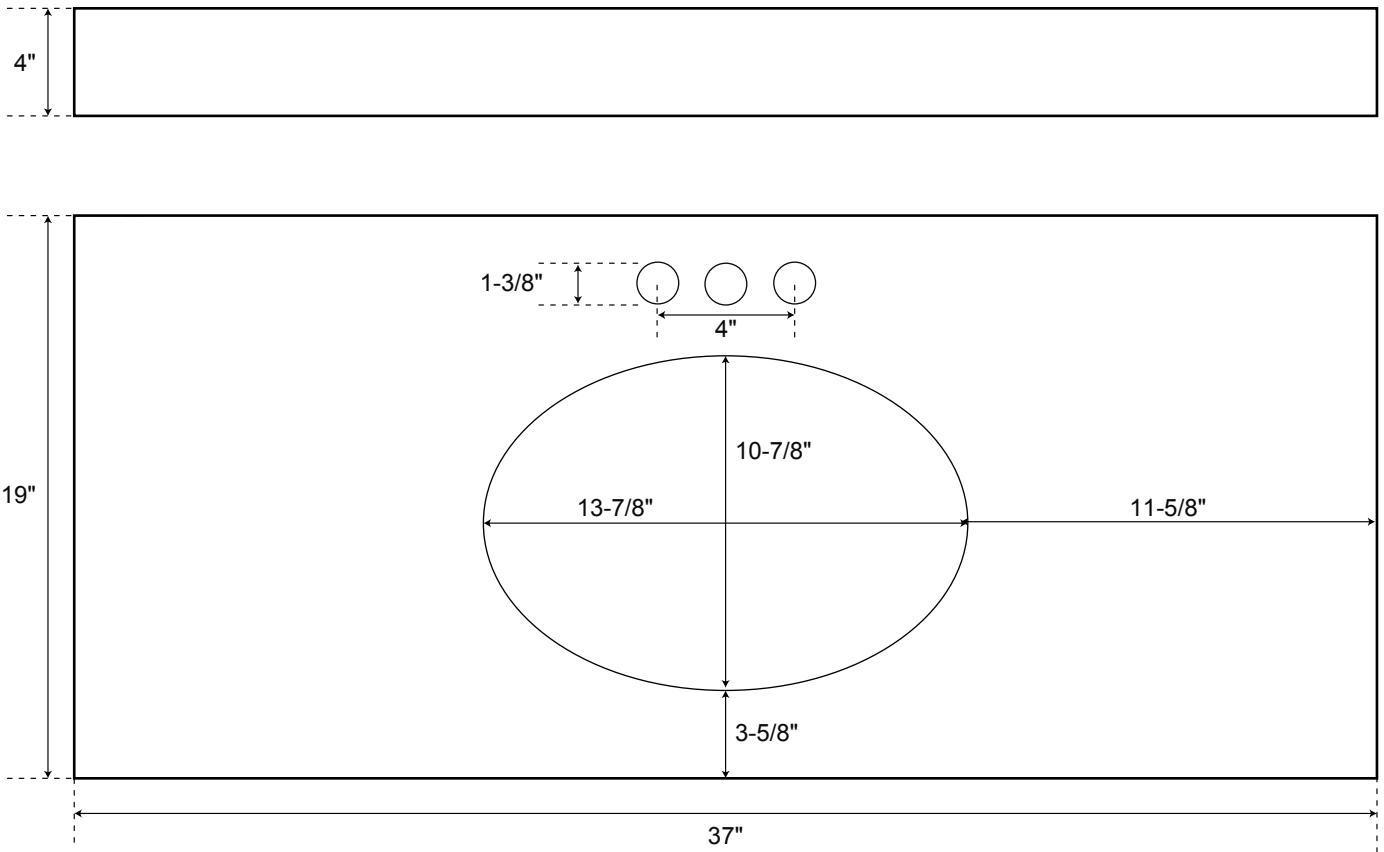


\* Measurements are approximate. It is recommended to have the product at the job site before finalizing plumbing.



# 37" Narrow

Vanity Top with Undermount Sink  
4" Widespread Faucet Drilling



\* Measurements are approximate. It is recommended to have the product at the job site before finalizing plumbing.