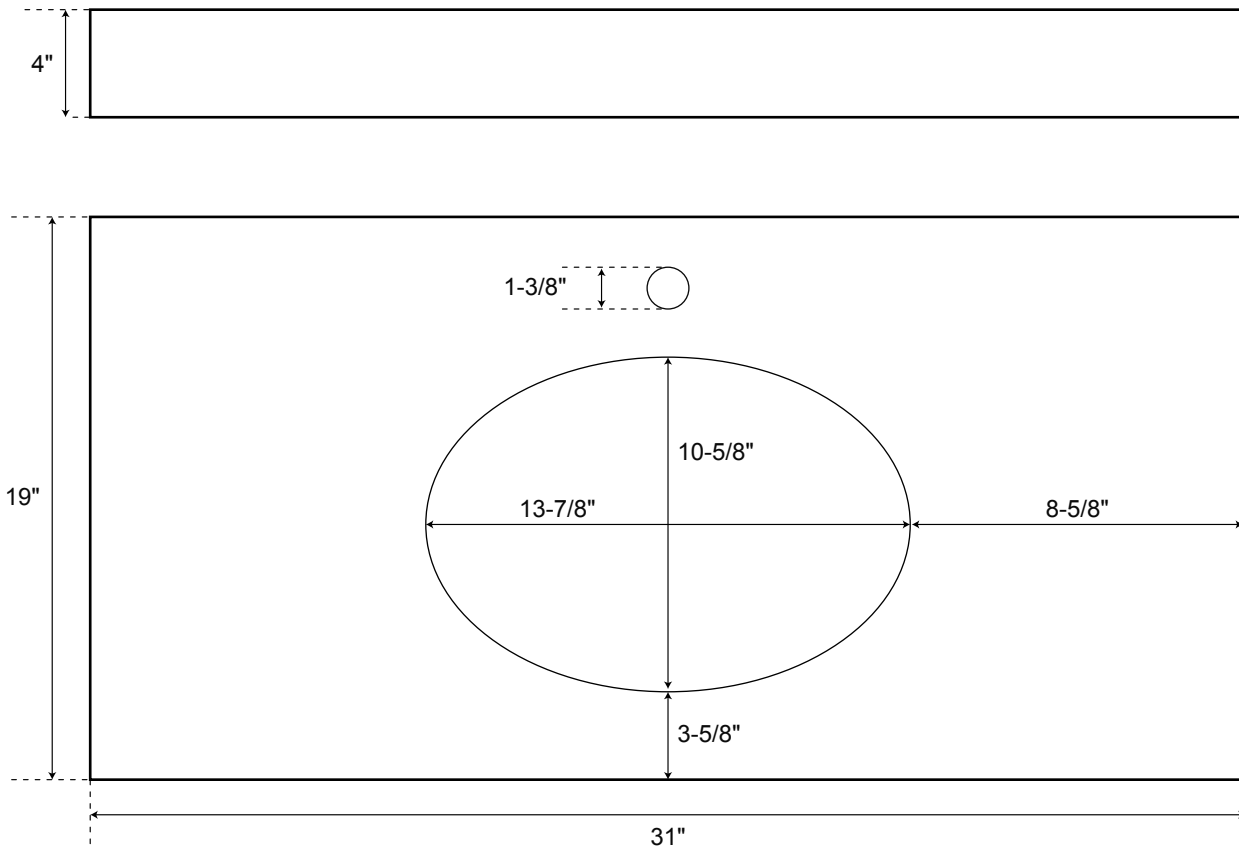




31" Narrow

Vanity Top with Undermount Sink
Single Hole Drilling

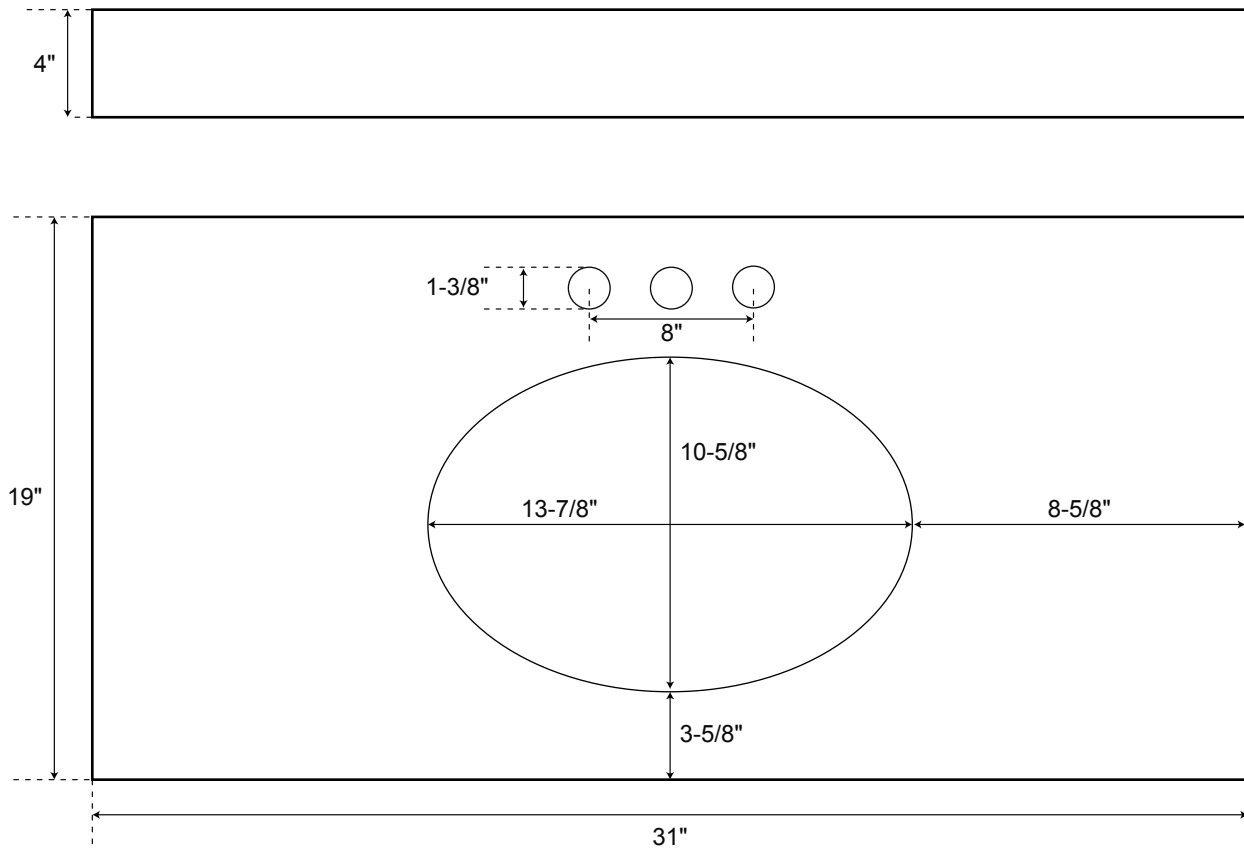


* Measurements are approximate. It is recommended to have the product at the job site before finalizing plumbing.



31" Narrow

Vanity Top with Undermount Sink
8" Widespread Faucet Drilling

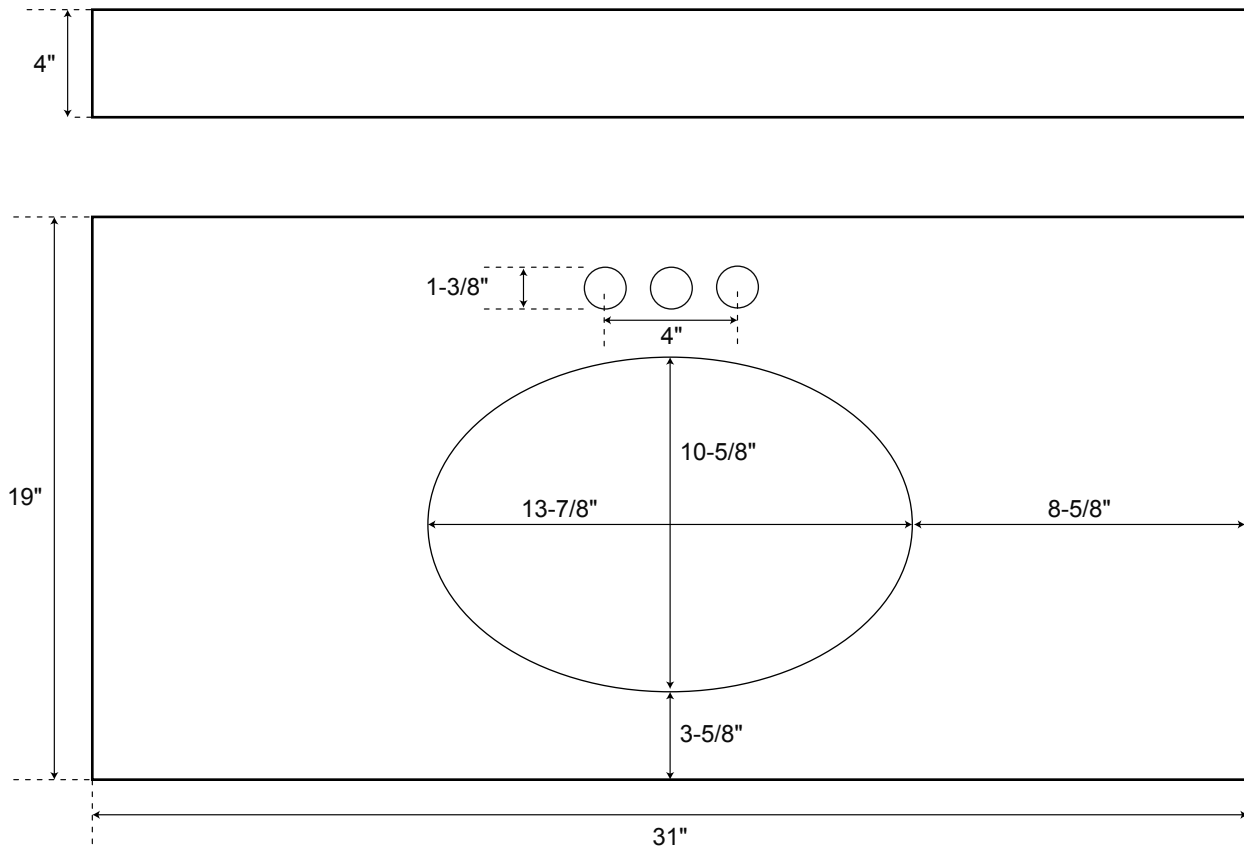


* Measurements are approximate. It is recommended to have the product at the job site before finalizing plumbing.



31" Narrow

Vanity Top with Undermount Sink
4" Centerset Faucet Drilling



* Measurements are approximate. It is recommended to have the product at the job site before finalizing plumbing.